


REVISION			
REV.	DESCRIPTION	DATE	APPROVED
-	RELEASED TO RECORDS	2/18/99	RLK
A	REVISED PER CD323 - ADD GS	5/03/99	RLK
B	REVISED PER CD517 -ADD ABS	12/10/01	RLK

Part No.	Yuasa (EnerSys) Part No.	ABS Part No.
01	NP0.8-12	12V0.8W3

- 1) BATTERY MUST HAVE DATE CODE.
- 2) DATE CODE CANNOT BE OLDER THAN 6 MONTHS WHEN RECEIVED IN INCOMING INSPECTION.

<p>Note: Vendor part numbers do not reflect production packaging. Packaging is left to the discretion of purchasing and/or Contract Manufacturer to optimize with insertion equipment.</p>			647 North Lakeview Pkwy. Vernon Hills, IL 60061 847-247-9400	
	APPROVED BY: D.A.T.	DES. ENG. _____ MFG. _____ MECH. DESIGN _____	DRAWN BY: G. EHRlich	
	TITLE: BATTERY, RECHARGEABLE 12V 0.8AH		DRAWING NUMBER: 73000900	
	DATE: 12/10/01		SHT. 1 OF 3	

ACROBAT 4 DOCUMENT

Independence™

SEALED RECHARGEABLE LEAD-ACID
BATTERY



NP0.8-12 NP0.8-12FR

12V, 0.8Ah

Specifications

NOMINAL VOLTAGE: 12V

NOMINAL CAPACITY:

20 hr. rate of 40 ma to 10.50V 0.80Ah

10 hr. rate of 74 ma to 10.50V 0.74Ah

5 hr. rate of 136 ma to 10.20V 0.68Ah

1 hr. rate of 480 ma to 9.60V 0.48Ah

WEIGHT (approx.): 0.77 pounds (0.35 kgs.)

ENERGY DENSITY (20 hr. rate):

1.10 WH/cubic inch (65 WH/liter)

SPECIFIC ENERGY (20 hr. rate):

12.5 WH/pound (27 WH/kg)

INTERNAL RESISTANCE OF CHARGE:

180 milliohms (approx.)

**MAXIMUM DISCHARGE CURRENT
WITH STANDARD TERMINALS:**

3 amperes

**MAXIMUM SHORT-DURATION
DISCHARGE CURRENT:**

50 amperes

OPERATING TEMPERATURE RANGE:

CHARGE 5°F to 122°F

(-15°C to 50°C)

DISCHARGE -4°F to 140°F

(-20°C to 60°C)

CHARGE RETENTION (shelf life) at 68°F (20°C):

1 month 97%

3 months 91%

6 months 85%

LIFE EXPECTANCY:

STANDBY USE 3 to 5 years

CYCLE USE (approx.)

100% depth of discharge 250 cycles

50% depth of discharge 550 cycles

30% depth of discharge 1200 cycles

SEALED CONSTRUCTION:

Can be operated in any position without leakage.

STANDARD TERMINAL:

JST #VHR-2N

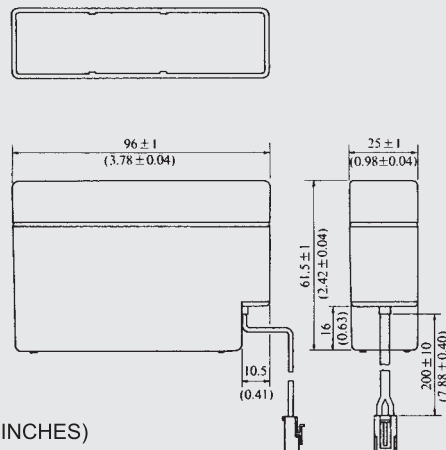
HOUSING MATERIAL:

ABS Resin

OPTIONAL: Container and cover made from Flame

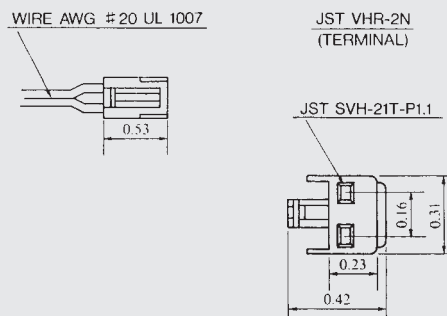
Retardant ABS (UL94-V2/L.O.I.>28%)

DIMENSIONS



DIMENSIONS: MM (INCHES)

TERMINAL

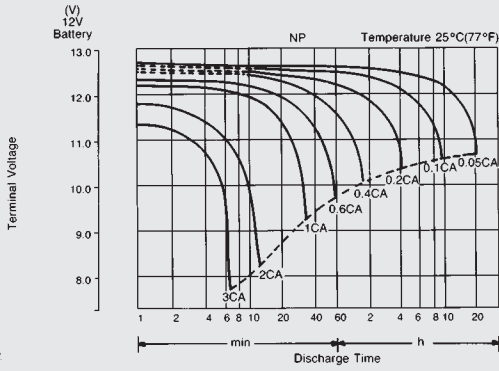


DIMENSIONS: (INCHES)

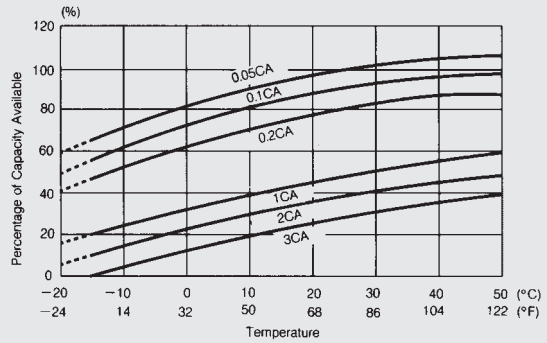


RECOGNIZED BY UL, File No. MH 12970

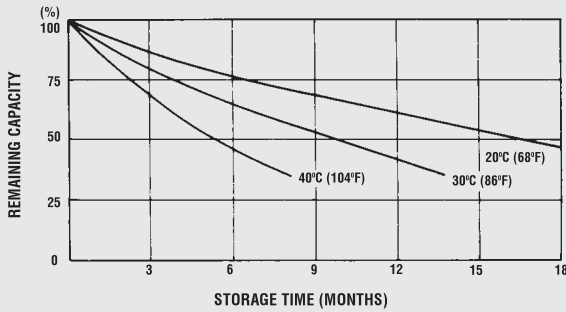
DISCHARGE CHARACTERISTIC CURVES



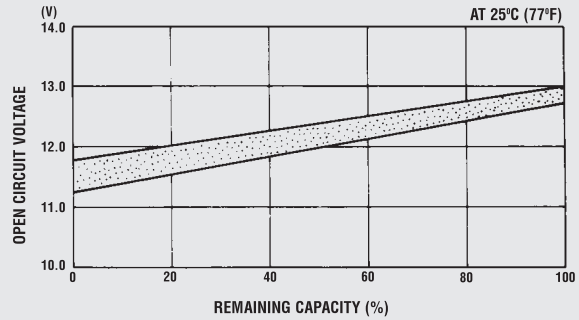
TEMPERATURE EFFECTS IN RELATION TO BATTERY CAPACITY



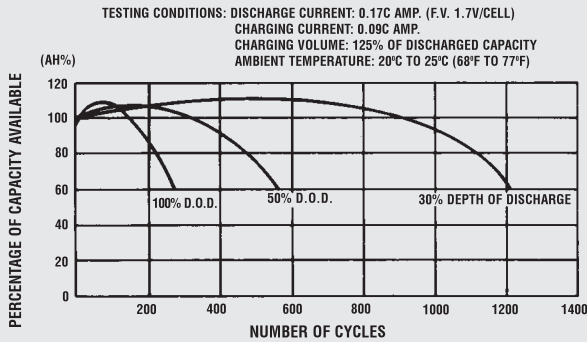
SELF DISCHARGE CHARACTERISTIC



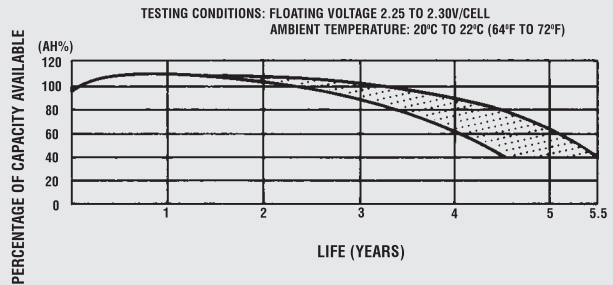
OPEN CIRCUIT VOLTAGE VS REMAINING CAPACITY



CYCLE SERVICE LIFE IN RELATION TO DEPTH OF DISCHARGE



FLOAT SERVICE LIFE



When the battery will be used by the current in excess of 3C, consult with Yuasa, Inc. prior to use.

CHARGING METHODS (At 20°C)

Cycle use:

Maximum charging current 0.2A
 Charging voltage 14.4 to 15.0V

Standby use:

Float charging voltage 13.50 to 13.80V

CAUTION

- Avoid short circuit
- Do not charge in a sealed container.

Represented by:

When ordering new batteries, also remember to properly recycle your old lead batteries. Federal and state regulations require lead-acid batteries be recycled. Yuasa's nationwide service organization can arrange pickup, transportation to and recycling at any one of our company affiliated smelters. Call 1-800-972-7372 for more information.



Power/Full Solutions™

Sales Offices

Eastern Region: 201-964-0118 • 1-800-962-1287
 FAX 201-964-0720

Western Region: 562-949-4266 • 1-800-423-4667
 FAX 562-949-5527

Corporate Office: P.O. Box 14145, Reading, PA 19612-4145
 FAX 610-372-8613

Visit us on the web at: www.yuasastationary.com

Please check our website for literature updates